

## What sets the TCSJOHNHUXLEY Roulette Blaze Table apart?

Blaze for Roulette takes roulette tables to the next level, with an LED lightbox beneath the game surface which allows you to display eye catching animations, game status prompts and winning numbers.

### Features & Benefits

Displays eye catching animations

Available in Single or Double Zero

Slimline acrylic or cloth layout gaming surface

Highlights winning numbers which assists players and dealers

Quick and easy to install

Excites and entertains new and existing players alike

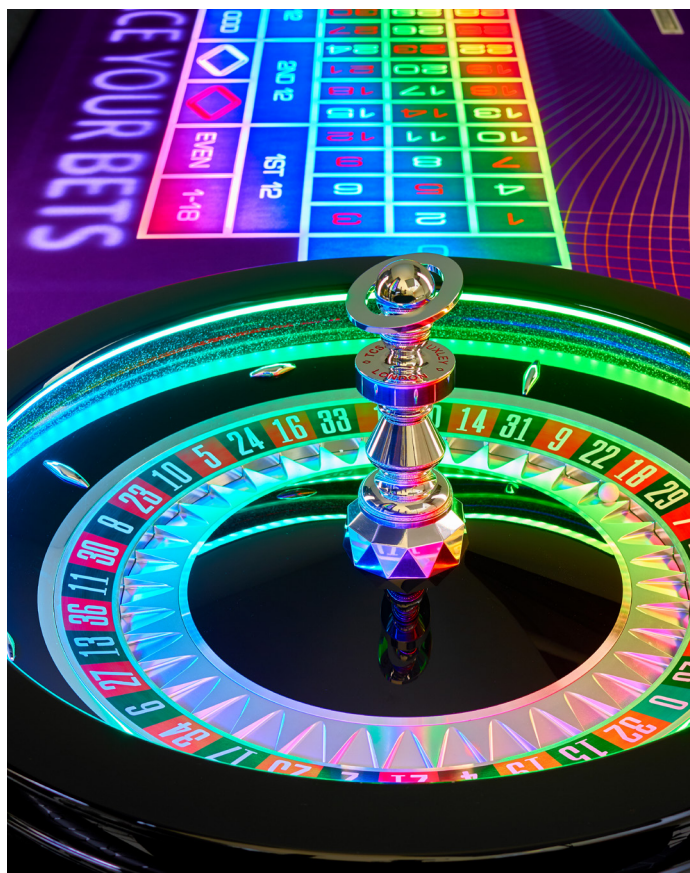
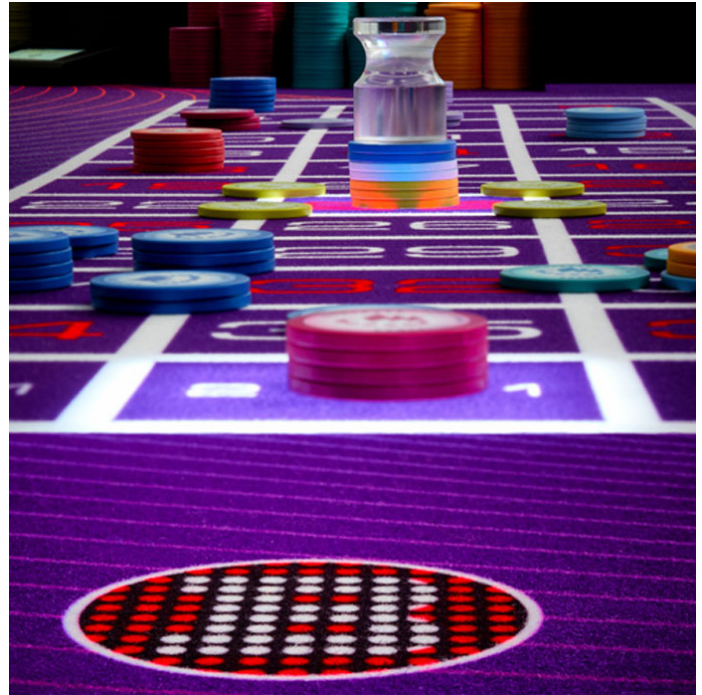
TCSJOHNHUXLEY hold the global patent for displaying animation on the gaming surface

Low maintenance, long-life LEDs

LCD touchscreen dealer console

Easy to operate; little training required

Compatible with all TCSJOHNHUXLEY Roulette Wheels and the e-FX™ Display range



### Roulette Blaze Dealer Operations

Roulette Blaze is fully automated. The only manual operation the dealer needs to complete is if the game needs to be voided for any reason. Voiding the game is done through a dealer console similar to other Blaze games. Winning numbers are passed to the Blaze system and e-FX™ Display directly from an integrated Saturn™ Roulette Wheel, TCSJOHNHUXLEY reader head or connection to a third-party wheel.

### Energy Efficient

Unlike traditional illuminated tables - which consist of a light box with individual light bulbs that require regular replacement - Blaze LED Surface Technology is energy efficient and offers thousands of hours operating life. This means that game play is uninterrupted and regular maintenance is limited.

### Create the winning combination

Blaze and the Saturn™ Glo Roulette Wheel make a winning combination, lighting up your gaming floor with their automated and synchronised colour changes which clearly indicate attract mode, 'Place Your Bets', 'No More Bets' and specific winning numbers. Compatible with all TCSJOHNHUXLEY Roulette Wheels and the e-FX™ Display range

## Let's get technical

Height	840mm
Width	2819mm
Depth	1623mm

Top Shipping Height	1820mm
Top Shipping Width	2940mm
Top Shipping Depth	160mm
Top Shipping Weight	200kg

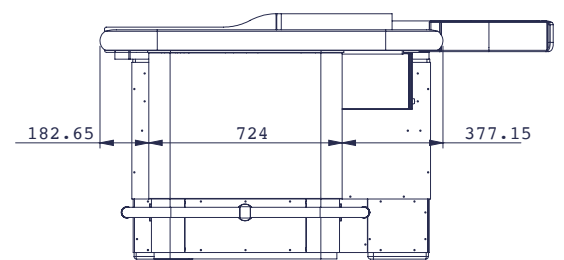
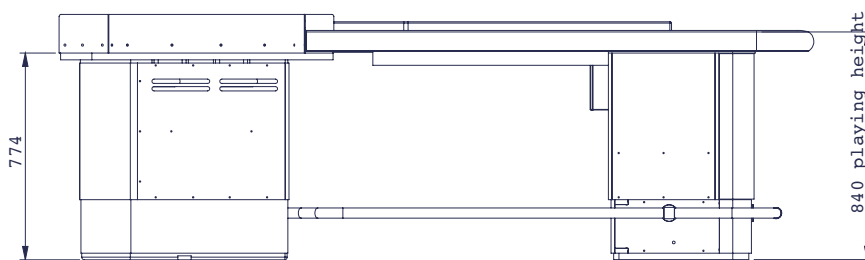
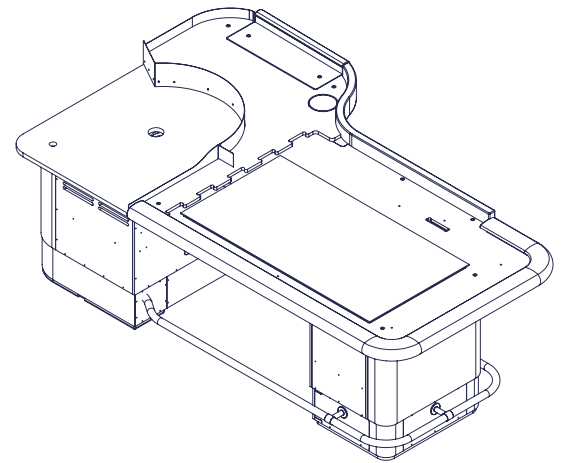
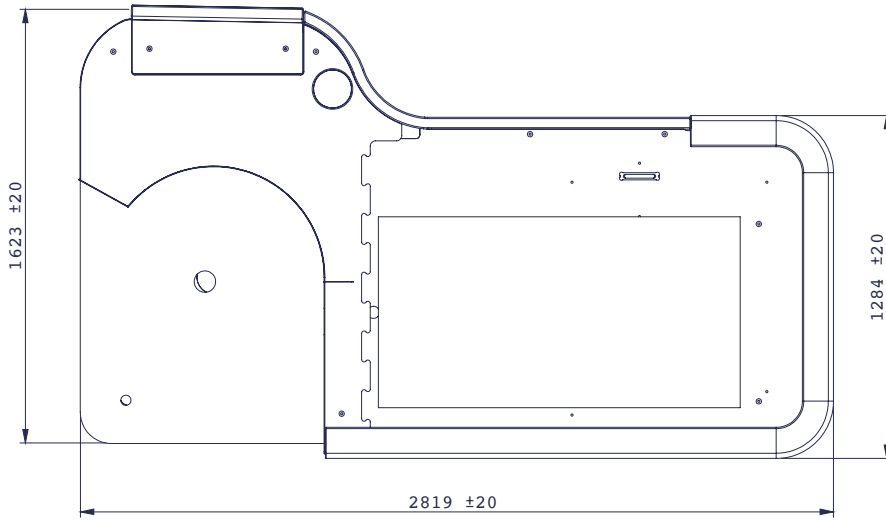
Base Shipping Height	900mm x2
Base Shipping Width	900mm x2
Base Shipping Depth	900mm x2
Base Shipping Weight	40kg x2

Lightbox Shipping Height	500mm
Lightbox Shipping Width	1780mm
Lightbox Shipping Depth	450mm
Lightbox Shipping Weight	60kg

Colour Options	Available in a number of colours and finishes
----------------	---

Electronics Options	Blaze Lightbox Output
	Dealer console
	Built in cooling fan

Compatible Products	GFL Media
	GFL Optimisation
	All TCSJOHNHUXLEY Roulette Wheels
	e-FX™ Displays



## What sets the TCSJOHNHUXLEY Sicbo Blaze Table apart?

It's Sicbo, only better! TCSJOHNHUXLEY's Sicbo Blaze is a new approach that brings added excitement to the already popular game.

### Features & Benefits

Highlights winning numbers which assists players and dealers

LCD touchscreen dealer console

Quick and easy to install

Low maintenance, long-life LEDs

Assists with dealer accuracy

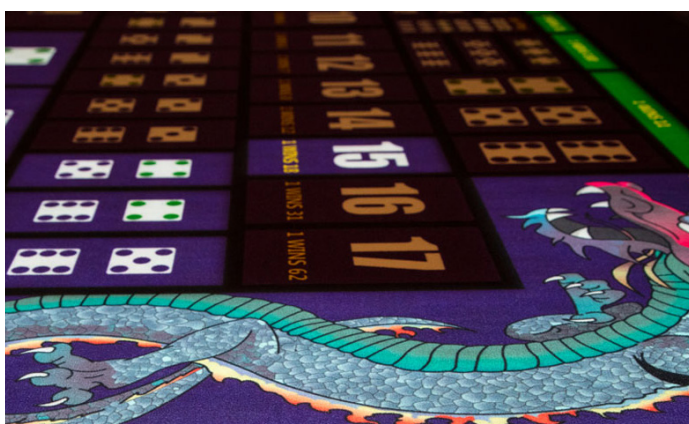
Compatible with TCSJOHNHUXLEY e-FX™ Displays

Easy to operate; little training required

Excites and entertains new players

### High Impact Illuminated Playing Surface

Sicbo Blaze features TCSJOHNHUXLEY's latest patented gaming surface technology which delivers brilliance and excitement to the table. Players and gaming staff instantly benefit from seeing all winning numbers and sections of the Sicbo Blaze game layout clearly highlighted. For further impact, patented game attract sequences automatically run until no more bets is signalled by the system. With the improved visibility of winning sections, pit bosses and security staff can also easily monitor game procedures from a distance. The flexibility of the system also allows casinos to include their own graphics and branding.



### The New Approach to Sicbo

Sicbo is an ancient Chinese game of dice in which the player bets on the outcome of the three dice and has the choice of a large number of betting options and odds. It is known by various names around the world such as Big and Small, Hi-Lo, Dai Siu, and Tai Sai. Sicbo's appeal is timeless. Its origins have been traced back to the exotic port of Shanghai centuries ago and today it is played in modern casinos around the world. The latest Blaze LED Surface Technology provides a new approach to Sicbo bringing added excitement to the game and your casino floor.



### Ease of Maintenance

Unlike traditional illuminated Sicbo tables that consist of a light box with many individual light bulbs that require regular replacement, the new Blaze LED Surface Technology is energy efficient and has many thousands of hours operating life. Game play is uninterrupted and regular maintenance limited.



## Let's get technical

Table Height	814mm
Table Width	2334mm
Table Depth	1414mm

**Colour Options** Available in a number of colours and finishes

**Electronics Options** Blaze Lightbox Output  
Dealer Console  
Built in cooling fans

**Compatible Products** GFL Media  
GFL Optimisation  
Dice Shaker  
e-FX™ Displays



## What sets the TCSJOHNHUXLEY Money Wheel Blaze Table apart?

Blaze Big 6/Money Wheel is the perfect addition to excite players.

### Features & Benefits

Assists with Dealer accuracy
Highlights winning bets, which assists players & enhances security
Patented animations across the gaming surface
LCD touchscreen dealer console
Quick and easy to install
Low maintenance, long-life LEDs
Compatible with both the 52 and 54 pin LED Big 6/Money Wheels
Compatible with the 23" e-FX™ Display
Easy to operate; little training required
Excited and entertains existing and new players alike



### Stunning Game Sequences

Blaze for Big 6/Money Wheel Tables provides stunning game sequences which are projected under an acrylic screen or traditional cloth layout. These eye-catching animations attract, excite and captivate new and existing players, providing a unique visual spectacle for your casino floor.



### Interactive Themes

With the flexibility of Blaze LED Surface Technology, your casino can create its own unique and interactive themes for your Big 6/Money Wheel games. Previous themes created have been a music-inspired Jukebox which players can rock out to, as well as a Pinball-inspired game that brought the vintage arcade theme to the casino floor.

### Energy Efficient

Blaze LED Surface Technology is energy efficient and offers much longer operating life compared to traditional illuminated tables, which consist of a light box and individual lights that require regular replacement. Comparatively, Blaze uses a single LED surface under the layout meaning that game play is uninterrupted and regular maintenance is limited.





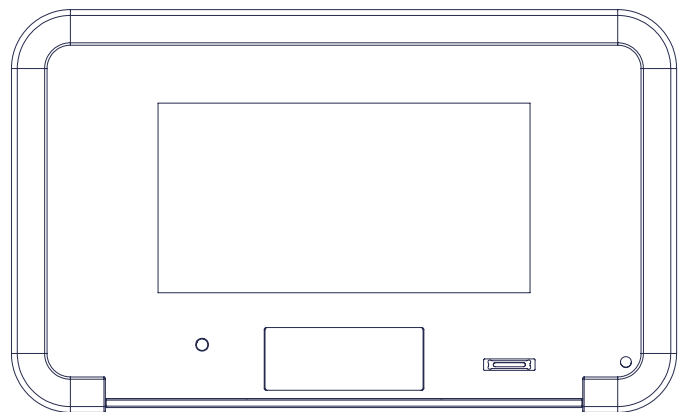
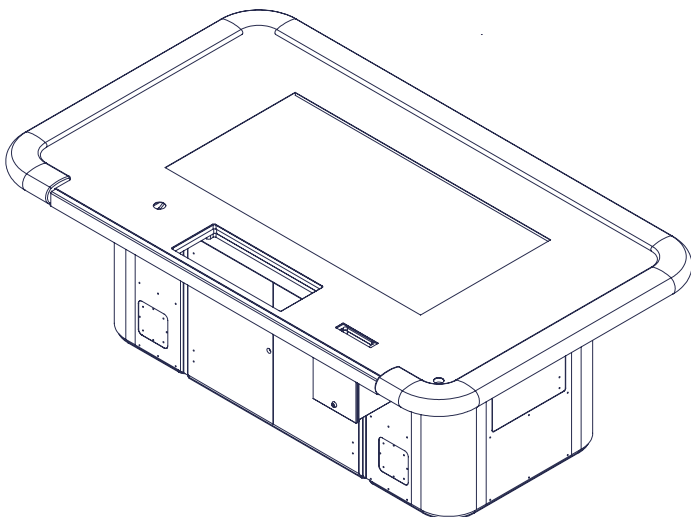
## Let's get technical

Table Height	791mm
Table Width	2334mm
Table Depth	1414mm

**Colour Options** Available in a number of colours and finishes

**Electronics Options** Built in cooling fans  
Blaze Lightbox Output  
Dealer Console

**Compatible Products** GFL Optimisation  
GFL Media  
52 and 54 pin Big 6 / Money Wheel  
23" e-FX™ Display



## What sets the TCSJOHNHUXLEY Blaze Craps table apart?

The latest addition to the Blaze LED suite of products is Blaze Craps, delivering all the excitement and entertainment of the traditional game whilst simplifying the betting process.

### Features & Benefits

- Remove barriers to game play with easy to follow prompts
- Enhance the player experience of this traditional game
- Patented table technology to illuminate video animations through the layout
- Aids dealer accuracy with clear game prompts and illuminated payouts
- Enhance security with the illuminated playing surface
- Easy to operate, little training required
- Low maintenance, long-life LEDs
- LCD touchscreen Dealer console



### High impact illuminated playing surface

Craps is always one of the games that attracts a crowd on the gaming floor but it can be confusing to novice players. By incorporating Blaze technology, the highlighted winning numbers and light sequences confirm the stages of the game, as well as displaying unique 'attract sequences' and custom-themed animations, making it quick and easy for players to grasp and for dealers and security staff to monitor play.

As the industry's only patented table technology to illuminate custom video animations through the layout, Blaze has proven to be an exciting addition to any gaming floor.

### Aid dealer accuracy & enhance security

Blaze Craps uses energy efficient LED lights fitted below the surface of the gaming table, providing clear illuminated prompts that enable dealers to stay focused on players and the flow of the game. In addition, the vibrant table helps casino security teams as with just a glance the team know what stage the game is in and can therefore monitor player and dealer behaviour is in line with the state of play.



## Let's get technical

Height	901.7mm (35.5 in)
Width	4216mm (166 in)
Depth	1575mm (62 in)
Total table weight	454 kg (1000 pounds) Table shipped as one unit
Colour Options	Available in a number of colours and finishes
Electrical Options	Blaze Lightbox Output x 2 Dealer Console Built in cooling fan

